

Hennepin County Public Works

1600 Prairie Drive
Medina, MN 55340

Turning Movement Count

CSAH 003 & CSAH 025
Turning Movement Count
Wednesday, June 20th, 2018
6 AM - 8 PM

File Name : 4745 - CSAH 003 & CSAH 025
Site Code : 4745
Start Date : 6/20/2018
Page No : 1

Groups Printed- Cars - Hvy Comm - Semis

Start Time	CSAH 025 Eastbound					Private Driveway Westbound					CSAH 003 Northbound					CSAH 003 Southbound					Int. Total
	Left	Thru	Right	Peds	App. Total	Left	Thru	Right	Peds	App. Total	Left	Thru	Right	Peds	App. Total	Left	Thru	Right	Peds	App. Total	
06:00 AM	66	1	0	0	67	0	0	0	0	0	0	18	0	0	18	0	14	80	0	94	179
06:15 AM	94	1	0	0	95	0	0	0	0	0	0	31	0	0	31	0	26	121	0	147	273
06:30 AM	98	0	0	2	100	0	0	2	0	2	0	67	0	2	69	0	39	160	2	201	372
06:45 AM	152	0	0	0	152	0	0	0	0	0	0	50	0	0	50	0	36	193	0	229	431
Total	410	2	0	2	414	0	0	2	0	2	0	166	0	2	168	0	115	554	2	671	1255
07:00 AM	168	0	0	0	168	0	0	1	0	1	0	79	0	0	79	0	65	225	0	290	538
07:15 AM	190	0	0	0	190	0	0	2	0	2	0	95	0	0	95	0	74	305	0	379	666
07:30 AM	233	0	0	0	233	0	0	0	0	0	0	102	0	0	102	0	102	379	0	481	816
07:45 AM	224	0	0	1	225	0	0	1	0	1	0	136	1	1	138	0	99	356	1	456	820
Total	815	0	0	1	816	0	0	4	0	4	0	412	1	1	414	0	340	1265	1	1606	2840
08:00 AM	208	1	0	0	209	0	0	0	0	0	0	117	0	0	117	0	132	376	0	508	834
08:15 AM	219	0	0	0	219	0	0	2	0	2	0	163	0	0	163	0	117	319	0	436	820
08:30 AM	206	2	0	1	209	1	0	5	0	6	0	144	0	0	144	0	126	288	0	414	773
08:45 AM	244	0	0	0	244	0	0	3	0	3	1	119	1	1	122	0	104	246	1	351	720
Total	877	3	0	1	881	1	0	10	0	11	1	543	1	1	546	0	479	1229	1	1709	3147
09:00 AM	185	0	0	0	185	0	0	2	0	2	0	132	0	1	133	0	89	202	1	292	612
09:15 AM	188	0	0	1	189	0	0	3	0	3	0	78	1	0	79	0	77	200	0	277	548
09:30 AM	165	2	0	0	167	0	0	3	1	4	0	77	1	0	78	0	99	190	0	289	538
09:45 AM	193	0	0	0	193	0	0	1	0	1	1	74	0	0	75	0	81	176	0	257	526
Total	731	2	0	1	734	0	0	9	1	10	1	361	2	1	365	0	346	768	1	1115	2224
10:00 AM	141	0	0	0	141	0	0	2	0	2	0	78	0	1	79	0	78	126	0	204	426
10:15 AM	153	0	0	0	153	0	0	4	0	4	0	82	1	3	86	0	80	147	1	228	471
10:30 AM	175	1	0	0	176	0	0	2	0	2	0	72	1	1	74	0	79	180	0	259	511
10:45 AM	172	0	0	0	172	0	0	4	0	4	0	91	0	1	92	0	101	162	1	264	532
Total	641	1	0	0	642	0	0	12	0	12	0	323	2	6	331	0	338	615	2	955	1940
11:00 AM	168	0	0	1	169	1	0	2	1	4	0	91	0	1	92	0	81	176	1	258	523
11:15 AM	169	0	0	1	170	0	0	3	0	3	0	108	0	2	110	0	108	205	0	313	596
11:30 AM	165	0	1	2	168	0	0	3	0	3	0	84	0	1	85	0	109	182	1	292	548
11:45 AM	201	0	0	0	201	0	0	9	0	9	0	105	0	0	105	0	106	178	0	284	599
Total	703	0	1	4	708	1	0	17	1	19	0	388	0	4	392	0	404	741	2	1147	2266
12:00 PM	184	0	0	0	184	0	0	3	1	4	0	116	0	3	119	0	98	207	2	307	614
12:15 PM	159	0	1	1	161	0	0	10	0	10	0	100	2	2	104	0	103	200	1	304	579
12:30 PM	180	0	0	2	182	1	0	6	0	7	0	105	0	0	105	0	118	205	2	325	619
12:45 PM	204	0	0	0	204	0	0	0	0	0	0	114	1	2	117	0	113	205	2	320	641
Total	727	0	1	3	731	1	0	19	1	21	0	435	3	7	445	0	432	817	7	1256	2453
01:00 PM	179	0	0	1	180	0	0	2	0	2	0	102	0	1	103	0	114	180	1	295	580
01:15 PM	198	1	1	1	201	0	0	5	0	5	0	86	0	1	87	0	103	207	0	310	603
01:30 PM	215	0	0	0	215	0	0	6	0	6	0	109	0	0	109	0	115	221	0	336	666
01:45 PM	175	0	1	0	176	0	0	3	0	3	0	107	1	1	109	0	120	210	0	330	618
Total	767	1	2	2	772	0	0	16	0	16	0	404	1	3	408	0	452	818	1	1271	2467
02:00 PM	170	0	1	0	171	0	0	2	0	2	0	113	1	0	114	0	91	219	0	310	597
02:15 PM	209	1	1	0	211	0	0	5	0	5	0	90	0	2	92	0	83	216	1	300	608
02:30 PM	232	0	0	0	232	0	0	3	0	3	0	115	0	1	116	0	100	229	2	331	682
02:45 PM	199	1	0	0	200	0	0	2	0	2	0	113	0	0	113	0	101	203	0	304	619
Total	810	2	2	0	814	0	0	12	0	12	0	431	1	3	435	0	375	867	3	1245	2506

Hennepin County Public Works

1600 Prairie Drive
Medina, MN 55340

Turning Movement Count

File Name : 4745 - CSAH 003 & CSAH 025

Site Code : 4745

Start Date : 6/20/2018

Page No : 2

Groups Printed- Cars - Hvy Comm - Semis

Start Time	CSAH 025 Eastbound					Private Driveway Westbound					CSAH 003 Northbound					CSAH 003 Southbound					Int. Total
	Left	Thru	Right	Peds	App. Total	Left	Thru	Right	Peds	App. Total	Left	Thru	Right	Peds	App. Total	Left	Thru	Right	Peds	App. Total	
03:00 PM	221	0	0	0	221	0	0	6	0	6	0	142	0	0	142	0	114	236	0	350	719
03:15 PM	237	0	0	0	237	0	0	8	0	8	0	100	1	3	104	0	112	230	1	343	692
03:30 PM	258	1	0	0	259	1	0	6	0	7	0	148	0	0	148	0	100	245	0	345	759
03:45 PM	273	0	0	0	273	0	0	1	0	1	0	131	0	1	132	0	105	260	0	365	771
Total	989	1	0	0	990	1	0	21	0	22	0	521	1	4	526	0	431	971	1	1403	2941
04:00 PM	226	0	1	1	228	0	0	9	0	9	0	151	0	1	152	0	120	278	1	399	788
04:15 PM	305	0	0	0	305	0	0	0	0	0	0	145	0	0	145	0	113	309	0	422	872
04:30 PM	204	0	0	0	204	0	0	8	0	8	0	167	0	5	172	0	118	283	6	407	791
04:45 PM	247	0	0	0	247	0	0	7	0	7	0	217	2	0	219	0	167	286	0	453	926
Total	982	0	1	1	984	0	0	24	0	24	0	680	2	6	688	0	518	1156	7	1681	3377
05:00 PM	199	0	0	0	199	0	0	13	1	14	0	200	0	0	200	0	138	256	0	394	807
05:15 PM	183	0	0	0	183	0	0	3	0	3	0	288	0	4	292	0	140	288	0	428	906
05:30 PM	176	0	0	2	178	0	0	5	1	6	0	226	1	0	227	0	126	258	0	384	795
05:45 PM	205	0	0	0	205	0	0	9	0	9	0	261	0	0	261	0	132	279	0	411	886
Total	763	0	0	2	765	0	0	30	2	32	0	975	1	4	980	0	536	1081	0	1617	3394
06:00 PM	175	0	0	0	175	0	0	6	0	6	0	236	0	1	237	0	139	276	2	417	835
06:15 PM	179	0	1	0	180	0	0	3	0	3	0	236	0	3	239	0	119	247	3	369	791
06:30 PM	185	0	0	0	185	0	0	0	1	1	0	225	0	3	228	0	109	243	3	355	769
06:45 PM	253	1	0	0	254	0	0	2	0	2	0	158	1	2	161	0	100	203	1	304	721
Total	792	1	1	0	794	0	0	11	1	12	0	855	1	9	865	0	467	969	9	1445	3116
07:00 PM	218	0	0	0	218	0	0	1	0	1	0	162	0	3	165	0	105	219	3	327	711
07:15 PM	199	0	0	0	199	0	0	1	0	1	0	148	1	2	151	0	104	212	1	317	668
07:30 PM	198	0	0	0	198	0	0	3	0	3	0	118	0	0	118	0	100	178	1	279	598
07:45 PM	177	0	0	0	177	0	0	1	0	1	0	95	0	5	100	0	90	211	3	304	582
Total	792	0	0	0	792	0	0	6	0	6	0	523	1	10	534	0	399	820	8	1227	2559
Grand Total	10799	13	8	17	10837	4	0	193	6	203	2	7017	17	61	7097	0	5632	12671	45	18348	36485
Apprch %	99.6	0.1	0.1	0.2		2	0	95.1	3		0	98.9	0.2	0.9		0	30.7	69.1	0.2		
Total %	29.6	0	0	0	29.7	0	0	0.5	0	0.6	0	19.2	0	0.2	19.5	0	15.4	34.7	0.1	50.3	
Cars	10487	12	8	14	10521	4	0	192	0	196	0	6839	16	52	6907	0	5632	12671	45	18348	35972
% Cars	97.1	92.3	100	82.4	97.1	100	0	99.5	0	96.6	0	97.5	94.1	85.2	97.3	0	100	100	100	100	98.6
Hvy Comm	289	1	0	3	293	0	0	1	6	7	2	168	1	9	180	0	0	0	0	0	480
% Hvy Comm	2.7	7.7	0	17.6	2.7	0	0	0.5	100	3.4	100	2.4	5.9	14.8	2.5	0	0	0	0	0	1.3
Semis	23	0	0	0	23	0	0	0	0	0	0	10	0	0	10	0	0	0	0	0	33
% Semis	0.2	0	0	0	0.2	0	0	0	0	0	0	0.1	0	0	0.1	0	0	0	0	0	0.1

Hennepin County Public Works

1600 Prairie Drive
Medina, MN 55340

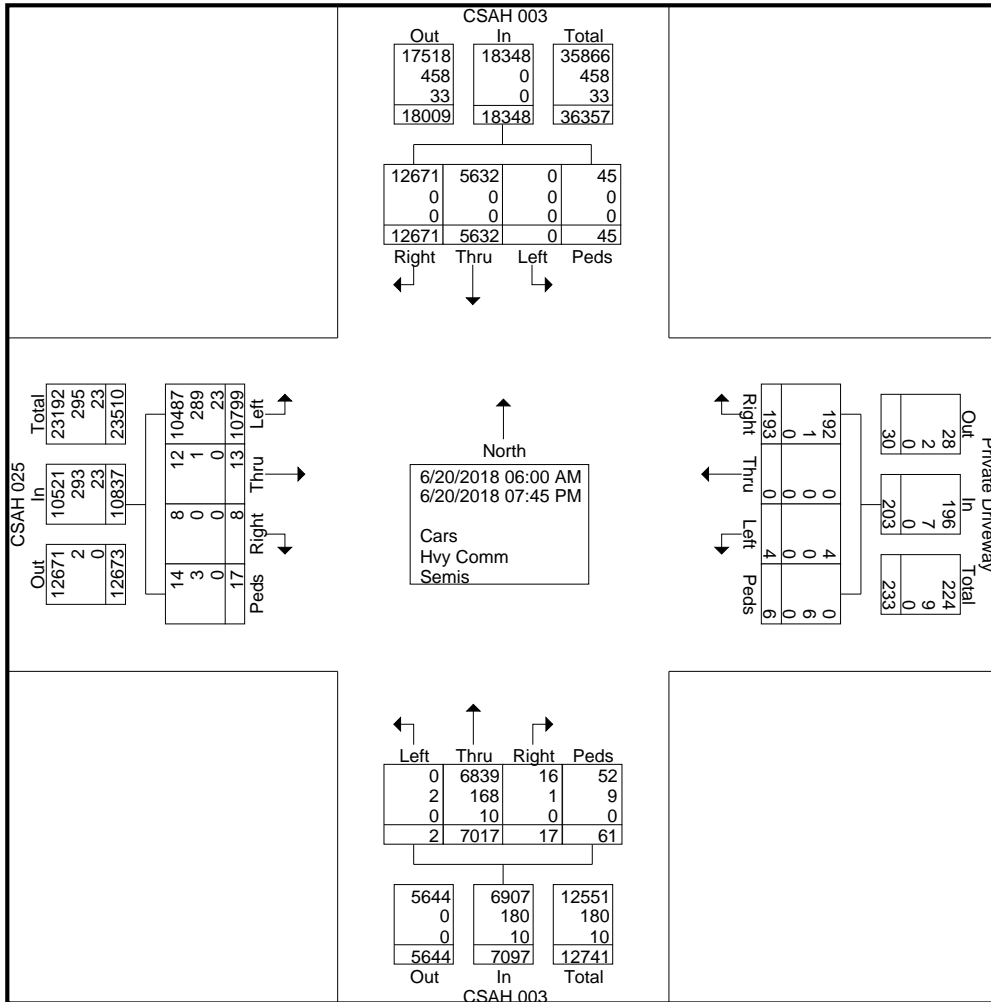
Turning Movement Count

File Name : 4745 - CSAH 003 & CSAH 025

Site Code : 4745

Start Date : 6/20/2018

Page No : 3



Hennepin County Public Works

1600 Prairie Drive
Medina, MN 55340

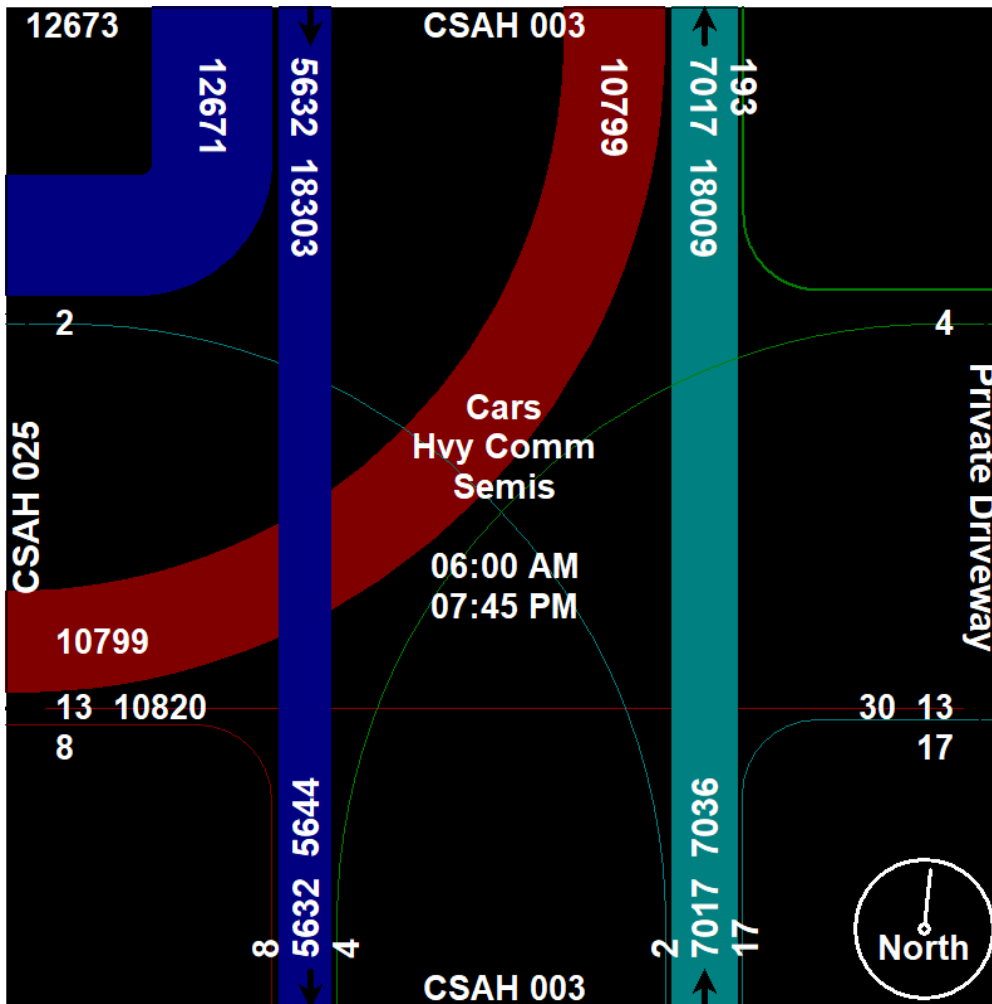
Turning Movement Count

File Name : 4745 - CSAH 003 & CSAH 025

Site Code : 4745

Start Date : 6/20/2018

Page No : 4



Hennepin County Public Works

1600 Prairie Drive
Medina, MN 55340

Turning Movement Count

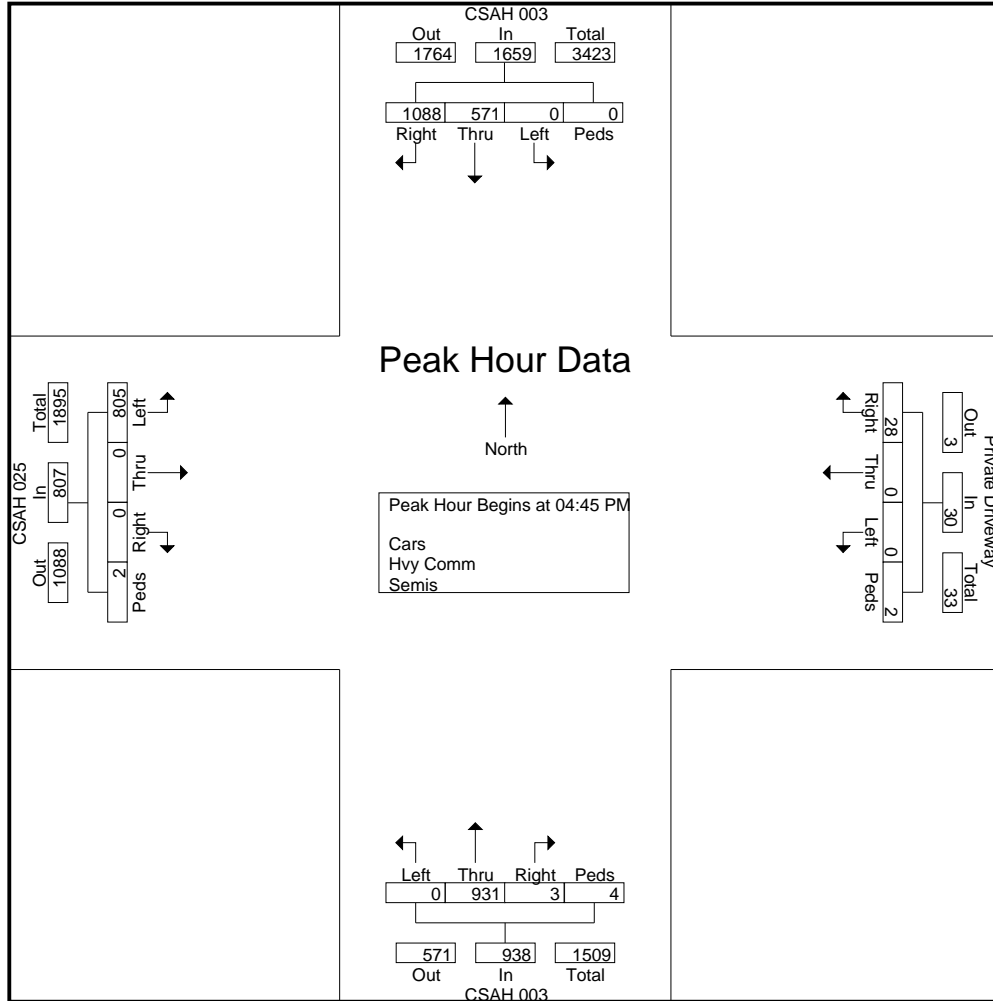
File Name : 4745 - CSAH 003 & CSAH 025

Site Code : 4745

Start Date : 6/20/2018

Page No : 5

Start Time	CSAH 025 Eastbound					Private Driveway Westbound					CSAH 003 Northbound					CSAH 003 Southbound					Int. Total
	Left	Thru	Right	Peds	App. Total	Left	Thru	Right	Peds	App. Total	Left	Thru	Right	Peds	App. Total	Left	Thru	Right	Peds	App. Total	
Peak Hour Analysis From 06:00 AM to 07:45 PM - Peak 1 of 1																					
Peak Hour for Entire Intersection Begins at 04:45 PM																					
04:45 PM	247	0	0	0	247	0	0	7	0	7	0	217	2	0	219	0	167	286	0	453	926
05:00 PM	199	0	0	0	199	0	0	13	1	14	0	200	0	0	200	0	138	256	0	394	807
05:15 PM	183	0	0	0	183	0	0	3	0	3	0	288	0	4	292	0	140	288	0	428	906
05:30 PM	176	0	0	2	178	0	0	5	1	6	0	226	1	0	227	0	126	258	0	384	795
Total Volume	805	0	0	2	807	0	0	28	2	30	0	931	3	4	938	0	571	1088	0	1659	3434
% App. Total	99.8	0	0	0.2		0	0	93.3	6.7		0	99.3	0.3	0.4		0	34.4	65.6	0		
PHF	.815	.000	.000	.250	.817	.000	.000	.538	.500	.536	.000	.808	.375	.250	.803	.000	.855	.944	.000	.916	.927



Hennepin County Public Works

1600 Prairie Drive
Medina, MN 55340

Turning Movement Count

File Name : 4745 - CSAH 003 & CSAH 025

Site Code : 4745

Start Date : 6/20/2018

Page No : 6

